

G DRAGON



G DRAGON

LUMINAIRE

CONFIGURABLE SHAPES & LENGTH
 INDEPENDENT FOCUS FOR EACH NODE
 180° ROTATION ALONG X & Y AXIS
 360° ON Z AXIS
 10 NODES PER STRING OF 980MM
 SURFACE TREATED FOR EXTREME CONDITIONS
 HIGH CORROSION RESISTANT
 TOUGHENED SAFETY GLASS
 CONTROLLABLE USING 1-10V DIMMING SIGNAL

PERFORMANCE

HOT TESTED AND COLOUR BINNED AT Tj 85°C
 EXCELLENT COLOUR CONSISTENCY USING SINGLE BIN
 HIGH POWER LM80 COMPLIANT LED
 CRI > 80, HIGHER CRI AVAILABLE UPON REQUEST

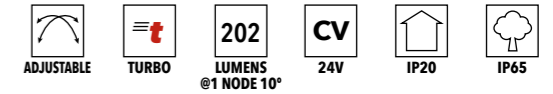
FINISHES

- CLASSIC 01 DOUBLE-ANODISED ALUMINIUM
 02 BLACK ALUMINIUM
- SPECIAL 06 'TITANIUM GREY' ALUMINIUM
 07 'GRAPHITE BLACK' ALUMINIUM

PHOTOMETRY

LUX @ / BEAM	10°	16°	29°	44°
1M	2786	1639	596	247
2M	696	410	149	62
3M	310	182	66	27
4M	174	102	37	15
5M	111	66	24	10
DELIVERED LUMENS	202LM	190LM	158LM	134LM

TEST CONDITION: PER NODE, 2700K, 700MA, 2W, CLEAR GLASS



LIGHT CONFIGURATOR ENGINE: GD2TS

POWER

BEAM 10° 16° 29° 44°

CCT 2700K 3000K 4000K 5000K BLUE OTHERS

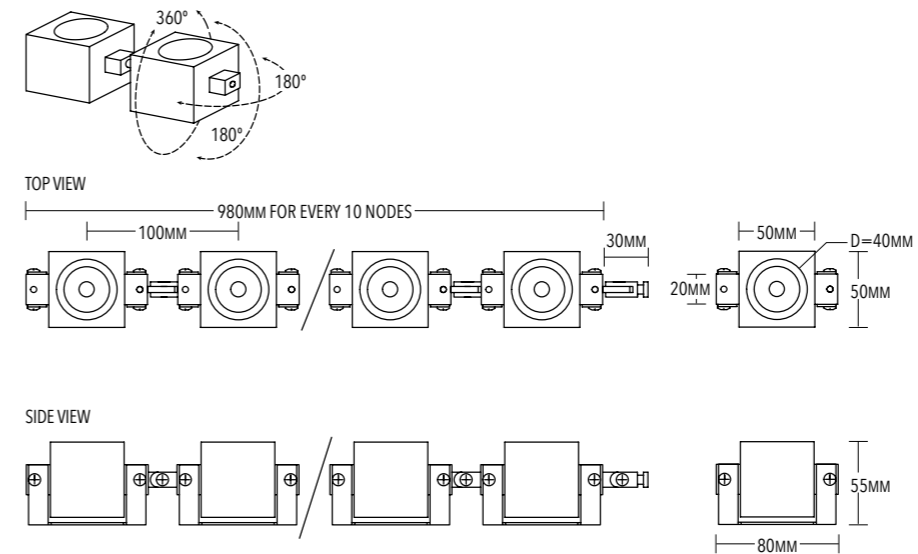
GLASS CL CLEAR

IP IP20 IP65

FINISHES 01 PER NODE 0.2KG 02 PER NODE 0.2KG 06 PER NODE 0.2KG 07 PER NODE 0.2KG

- INCLUDED
- 3 MOUNTING BRACKETS PER 980MM STRING
 - 300MM CABLE LENGTH

- OPTIONS
- / REMOTE DRIVER
 - VERSA (PG 146)
 - POWER (PG 150)
 - / IP68 CONNECTOR
 - 2 POLE



LINEAR MOUNTED

ADJUSTABLE