

AJ Floor

Weblink: 1406

Design: Arne Jacobsen

Light Concept: The fixture emits downward directed light. The angle of the shade can be adjusted to optimize light distribution. The shade is painted white on the inside to ensure a soft comfortable light.

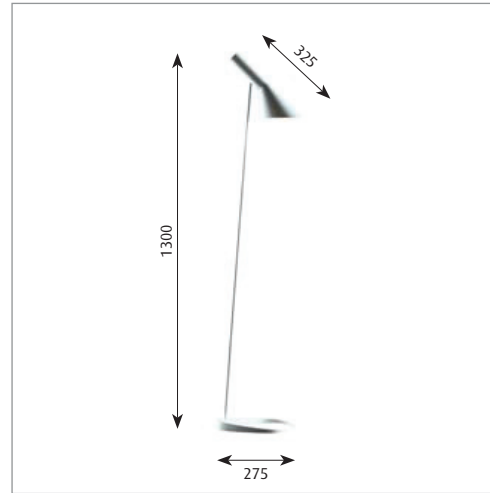
Finish: Blue/green, petroleum, red, sand, yellow/green, black, graphite grey or white, wet painted.

Material: Shade: Spun steel. Base: Die cast zinc. Stem: Steel.

Mounting: Cable type: Plastic cord with plug. Cable length: 2.6m. Light control: On/off switch on cord.

Weight: Max. 3.5kg.

Class: Ingress protection IP20. Electric shock protection II w/o ground.



Product code	Light source	Finish	Cable type
AJ-F	1x60W E27	BLK BLUE/GREEN GRAPH GREY PETROLEUM RED SAND WHT YELLOW/GREEN	BLK PL WHT PL

Specification notes
The white version is supplied with a white cable. The other versions are supplied with a black cable.
The innovation of light sources is ongoing. Consequently we only inform about the max. wattages.
On www.louispuulsen.com we update a list of recommendable light sources.



AJ Table

Weblink: 1427

Design: Arne Jacobsen

Light Concept: The fixture emits downward directed light. The angle of the shade can be adjusted to optimize light distribution. The shade is painted white on the inside to ensure a soft comfortable light.

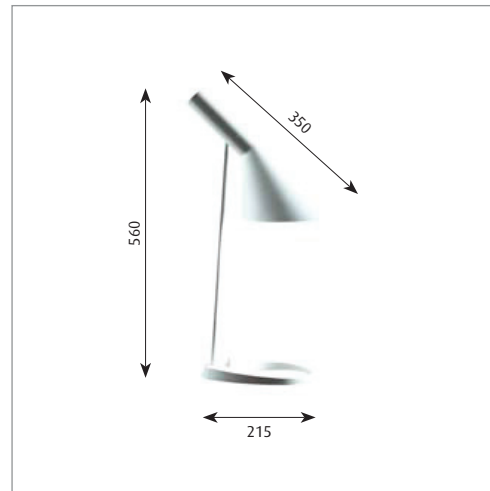
Finish: Blue/green, petroleum, red, sand, yellow/green, black, graphite grey or white, wet painted.

Material: Shade: Spun steel. Base: Die cast zinc. Stem: Steel.

Mounting: Cable type: Plastic cord with plug. Cable length: 2.4m. Light control: Switch in lamp stand.

Weight: Max. 2.5kg.

Class: Ingress protection IP20. Electric shock protection II w/o ground.



Product code	Light source	Finish	Cable type
AJ-T	1x60W E27	BLK BLUE/GREEN GRAPH GREY PETROLEUM RED SAND WHT YELLOW/GREEN	BLK PL WHT PL

Specification notes
The white version is supplied with a white cable. The other versions are supplied with a black cable.
The innovation of light sources is ongoing. Consequently we only inform about the max. wattages.
On www.louispuulsen.com we update a list of recommendable light sources.

