

# AJ Floor

**Weblink:** 1406

**Design:** Arne Jacobsen

**Light Concept:** The fixture emits downward directed light. The angle of the shade can be adjusted to optimize light distribution. The shade is painted white on the inside to ensure a soft comfortable light.

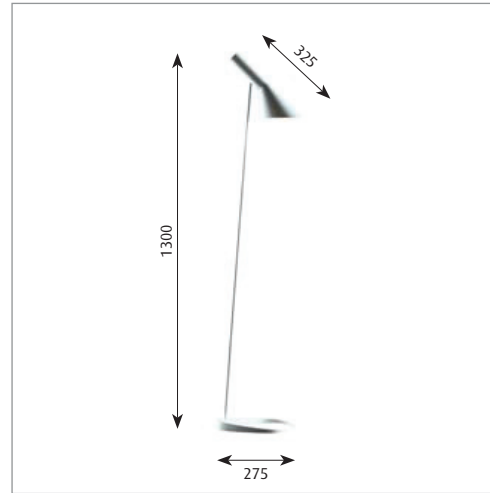
**Finish:** Blue/green, petroleum, red, sand, yellow/green, black, graphite grey or white, wet painted.

**Material:** Shade: Spun steel. Base: Die cast zinc. Stem: Steel.

**Mounting:** Cable type: Plastic cord with plug. Cable length: 2.6m. Light control: On/off switch on cord.

**Weight:** Max. 3.5kg.

**Class:** Ingress protection IP20. Electric shock protection II w/o ground.



Product code	Light source	Finish	Cable type
AJ-F	1x60W E27	BLK BLUE/GREEN GRAPH GREY PETROLEUM RED SAND WHT YELLOW/GREEN	BLK PL WHT PL

**Specification notes**  
The white version is supplied with a white cable. The other versions are supplied with a black cable.  
The innovation of light sources is ongoing. Consequently we only inform about the max. wattages.  
On [www.louispuulsen.com](http://www.louispuulsen.com) we update a list of recommendable light sources.



# AJ Table

**Weblink:** 1427

**Design:** Arne Jacobsen

**Light Concept:** The fixture emits downward directed light. The angle of the shade can be adjusted to optimize light distribution. The shade is painted white on the inside to ensure a soft comfortable light.

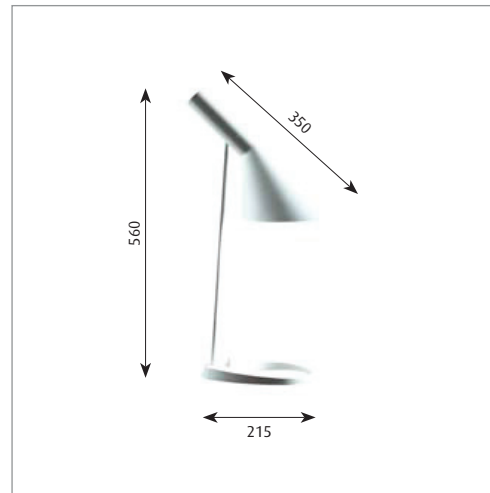
**Finish:** Blue/green, petroleum, red, sand, yellow/green, black, graphite grey or white, wet painted.

**Material:** Shade: Spun steel. Base: Die cast zinc. Stem: Steel.

**Mounting:** Cable type: Plastic cord with plug. Cable length: 2.4m. Light control: Switch in lamp stand.

**Weight:** Max. 2.5kg.

**Class:** Ingress protection IP20. Electric shock protection II w/o ground.



Product code	Light source	Finish	Cable type
AJ-T	1x60W E27	BLK BLUE/GREEN GRAPH GREY PETROLEUM RED SAND WHT YELLOW/GREEN	BLK PL WHT PL

**Specification notes**  
The white version is supplied with a white cable. The other versions are supplied with a black cable.  
The innovation of light sources is ongoing. Consequently we only inform about the max. wattages.  
On [www.louispuulsen.com](http://www.louispuulsen.com) we update a list of recommendable light sources.

