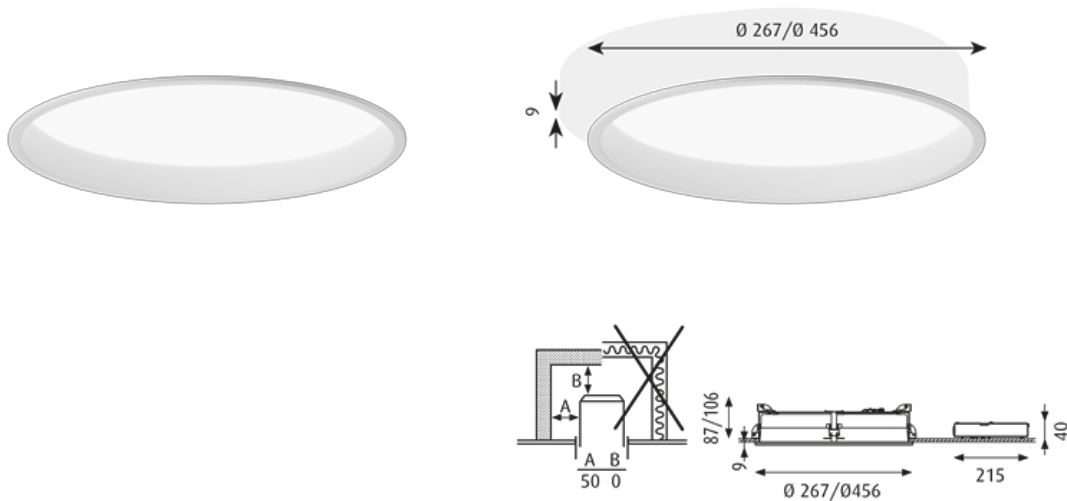


LP Circle Recessed



The circular product is a wide family of variants.

Minimalistic design

Four different mounting options; Recessed, Semi-recessed, surface and suspended.

Two dimensions

A range of standard colour options.

On recessed variants, a polycarbonate ring between the luminaire and ceiling creating a shadow gap marking the luminaire appear slightly floating under the ceiling.

The same shadow gap can be found inside the luminaire between diffuser (glowing part) and reflector.

On recessed and semi-recessed versions the luminaire is designed for tool-less installations.

On recessed variants bayonet clips secure fixture into frame with spring lock.

On recessed variants sliding claws mounting system with tool-less lock provides positive & tight installation.

Easy to maintain

EU:

Ceiling thickness: 1–40 mm.

For recessed the driver is a separate unit (supplied with luminaire)

Surface and suspended versions driver is integral.

Looping: Approved, max 5x1.5mm².

US:

Mounting frame with four vertically adjustable brackets spaced equally to be installed after closing the ceiling.

Mounting pan available as an accessory for installation prior to closing the ceiling.

Simple installation into ceilings up to 1.3" thick.

Rough-in section available to ship separately from trim.

Junction box accommodates through wiring, with 1/2" conduit knock-outs.

Tool-less connector between power supply and driver.

Driver mounting plate snaps into junction box for simple installation and servicing.

Electrical assembly removable from below ceiling.

Light description

The fixture emits diffuse light via a high-efficiency acrylic diffuser.

The glowing front has an even luminance where each individual LED cannot be seen.

Using high efficient mid power LEDs the temperature of each LEDs is managed efficiently is kept low.

High efficient and highly reflective film around LEDs to increase efficiency.

LED board is replaceable

The LED can be selected in a range of standard CCTs.

Kelvin adjustable available for controlling Kelvin temperature using DALI type 8 (Europe)

The diffuser, which is encircled by a voluminous coloured or white ring, is hidden when viewed from low angles due to the recessed position in the luminaire.

Very efficient luminaire

The inner side of the ring is angled 5° creating a comfortable and decorative graduation of the light from the diffuser.

Diffuser is off-set from housing with a small shadow gap.

On suspended version, reflected light from diffuser creates a glowing ring on the top of luminaire.

Low glare and UGR<19 options

Design

Mikkel Beedholm/KHR arkitekter

Mounting

Luminaire housing: Powder coated, semi-gloss

Standard colours: White, Blue, Red or Black.

Top on suspended version: Acrylic, mat

Cable on suspension: white fabric (Europe) or PVC coated (USA)

Reflector: Deep drawn 1,5mm (0. 8") aluminium

Diffuser: Acrylic, frosted.

Installation lock: Polyamide

Installation frame: Galvanized steel brackets

Reflective panel: White MC-PET polycarbonate.

Shadow ring: injection-molded, clear polycarbonate.

Custom designed LED board with array of mid-power LEDs arranged to avoid "hotspots" on diffuser without needing heatsink nor cooling fan.

Available in 3000K or 4000K with CRI of 80.

US SPECIFIC

3500K standard variant available.

Mounting pan, 11. 2" x 14. 9" or 18. 4" x 21. 8".

Mounting brackets: galvanized steel 2mm (0. 08") thick.

Junction box: galvanized steel 2mm (0. 08") thick.

Conduit: flexible aluminum.

Electronic constant current, class II driver for 120-277V operation and 0-10V dimming control.

Weight

Min: 2.168 KG Max: 4.223 KG

Dimensions

Ø 260, Ø 450

Other functions

Option for High output >4000lm

Option for Micro prismatic front UGR<19

Option for Emergency 3H battery pack (Europe)

Can be ordered in custom colours

Finish

Blk, Pale petroleum, Wht, Yellow

Finish

White, Black, Pale Petroleum or Yellow. Powder coated.

Materials

Reflector: Deep drawn aluminium.
Diffuser: Acrylic, frosted. Installation lock: Polyamide.

Mounting

Ceiling thickness: 1–40 mm. Driver is a separate unit (supplied with luminaire). Cut-out dimensions: Ø 260: Ø 248mm, Ø 450: Ø 438mm. Looping: Approved, max 5x1.5mm². For further information, visit www.louispoulsen.com.

Sizes and weights

Width x Height x Length (mm)
267 x 137 x 267 Max 2,2 kg
458 x 115 x 458 Max 3,5 kg
456 x 156 x 456 Max 4,2 kg

Class

Ingress protection IP20. Electric shock protection I.

Specification notes

A separate LED driver is supplied with the fixture. All LED power measurements are measured as system power.

Light source & energy class

Light source KELVIN ADJUSTABLE

Dimension	Colour	Light source	Efficacy	Kelvin	Watt	Lumen	Class	Shield	Mounting	Lighting control	IP	Variant class number
Ø 260	Wht	KELVIN ADJUSTABLE	-	-	-	-	I	OPAL RECESSED	DALI	KELVIN ADJUSTABLE	20	91589-5742587543-01
Ø 450	Wht	KELVIN ADJUSTABLE	-	-	-	-	I	OPAL RECESSED	DALI	KELVIN ADJUSTABLE	20	91589-5742587569-01
Ø 260	Yellow	LED 3000K 13W	95	3000	13.0	1233	I	OPAL RECESSED	DALI	SWITCH-DIM	20	91589-5742582043-01
Ø 450	Yellow	LED 3000K 25W	103	3000	25.0	2577	I	OPAL RECESSED	DALI	SWITCH-DIM	20	91589-5742582124-01
Ø 260	Pale petroleum	LED 3000K 13W	87	3000	13.0	1126	I	OPAL RECESSED	DALI	SWITCH-DIM	20	91589-5742582056-01
Ø 450	Pale petroleum	LED 3000K 25W	97	3000	25.0	2432	I	OPAL RECESSED	DALI	SWITCH-DIM	20	91589-5742582137-01
Ø 260	Blk	LED 3000K 13W	82	3000	13.0	1065	I	OPAL RECESSED	DALI	SWITCH-DIM	20	91589-5742580744-01
Ø 450	Blk	LED 3000K 25W	94	3000	25.0	2341	I	OPAL RECESSED	DALI	SWITCH-DIM	20	91589-5742580760-01
Ø 260	Wht	LED 3000K 13W	103	3000	13.0	1334	I	OPAL RECESSED	DALI	SWITCH-DIM	20	91589-5742583550-01
Ø 450	Wht	LED 3000K 25W	108	3000	25.0	2706	I	OPAL RECESSED	DALI	SWITCH-DIM	20	91589-5742583576-01
Ø 260	Wht	LED 4000K 13W	106	4000	13.0	1377	I	OPAL RECESSED	DALI	SWITCH-DIM	20	91589-5742587815-01
Ø 450	Wht	LED 4000K 25W	112	4000	25.0	2793	I	OPAL RECESSED	DALI	SWITCH-DIM	20	91589-5742587831-01

Spareparts & accessories

EMERGENCY PACK SIZE 3 LED-DA 3H
5742579917

CIRCLE Ø260 DIFFUSER
5742583657

CIRCLE Ø450 DIFFUSER
5742583660