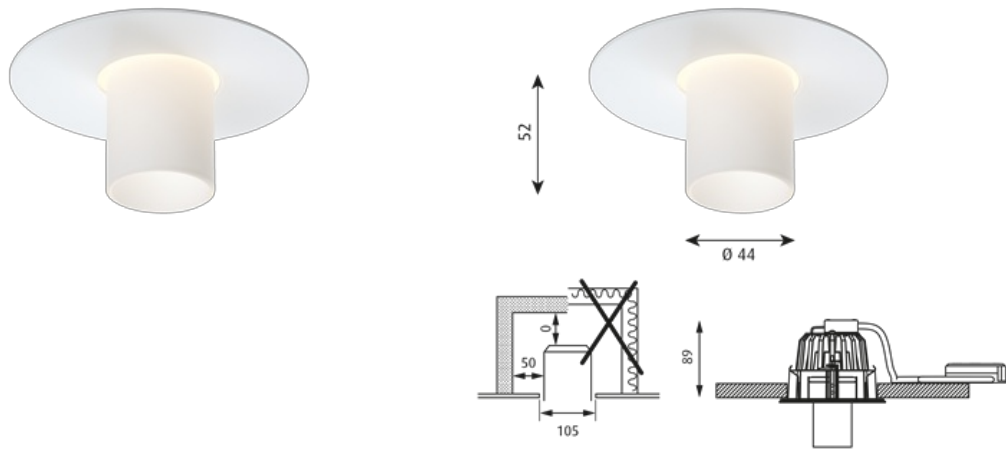


# Ballerup Mini



Member of downlight system with efficient LED housing.  
Family of two dimensions  
Range of light distribution parts (LDP) to choose from.  
Easy to change LDPs even after installation.  
Low build-in height.  
Easy to maintain.  
Ceiling locks tighten with screws for secure installation.

## EU SPECIFIC:

Ceiling thickness: 1–32 mm.  
Driver hardwires to housing.

## US SPECIFIC

Simple installation into ceilings up to 1.3" thick.  
Rough-in section available to ship separately from trim.  
Mounting brackets: attaches along length or width of pan. Fits C-channel or flat bar. Pointed tabs for nail-less installation to wood joists. Adjustable from 14" to 24".  
Junction box accommodates through wiring, with 1/2" conduit knock-outs.  
Tool-less connector between power supply and driver.  
Driver mounting plate snaps into junction box for simple installation and servicing.  
Electrical assembly removable from below ceiling.

## Light description

Option for symmetrical and direct downward directed light.  
No ghost shadows or unwanted scalloping on vertical surfaces in near proximity.  
No yellow glow in edge of scallop.  
Round symmetrical light distributions.  
Low glare.  
Glass trim, three layer mouth blown glass.  
Reflected light reduces contrast on ceiling.  
LED CRI >90.  
LED high efficient COB.  
LED good heat management. Tc point kept low for longer life on LED.

## Design

C. J. Nørgaard Pedersen & P. Hougaard Nielsen

## Mounting

Luminaire housing: Aluminium. Powder coated black for increased heat dissipation.  
LDP: Glass and aluminium, powder coated white.  
US SPECIFIC

Electronic constant current, class II driver for 120-277V operation and 0-10V dimming control, mounted onto junction box.  
Mounting pan, 10.3" x 7.4", galvanized steel 2mm (0.08") thick.

Mounting brackets: galvanized steel 2mm (0.08") thick.  
Junction box: galvanized steel 2mm (0.08") thick.  
Conduit: flexible aluminum.

**Weight**

0.746

**Finish**

Wht

**Finish**

White, powder coated. White opal glass.

**Materials**

Diffuser: Mouth-blown white opal glass. Ring: Punched steel.

**Mounting**

Ceiling thickness: 5-32mm. Ceiling Cut-Out: Ø 105mm. Looping: Not approved. Driver hardwired to housing. For more information please look at [www.louispoulsen.com](http://www.louispoulsen.com).

**Sizes and weights**

Width x Height x Length (mm)  
115 x 141 x 115 Max 0,7 kg

**Class**

Ingress protection IP20. Electric shock protection II.

**Light source & energy class**

Light source LED 3000K 15W

<b>Colour</b>	<b>Light source</b>	<b>Efficacy</b>	<b>Kelvin</b>	<b>Watt</b>	<b>Lumen</b>	<b>Class</b>	<b>Lighting control</b>	<b>IP class</b>	<b>Variant number</b>
Wht	LED 3000K 15W	22	3000	15.0	335	II	DALI	20	91656-5742586832-01

---

## Spareparts & accessories

**BALLERUP MINI/MICRO, GLASS**  
5742560719