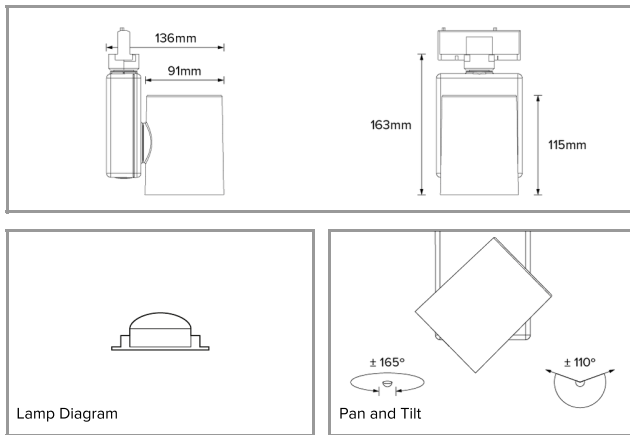


DRX1; 3-Circuit Track 2700K LED 4° Optic 10W



PHYSICAL

CONSTRUCTION MATERIALS: A380 Aluminium
Glass-filled Polycarbonate

MOUNTING: 3-Circuit Track

WEIGHT: 1.2 kg

FINISH: White RAL9010

MAX AMBIENT TEMPERATURE: 40°C

CONTROL

MOVEMENT TYPE: Handheld Remote

DIMMING OPTION: Handheld Control

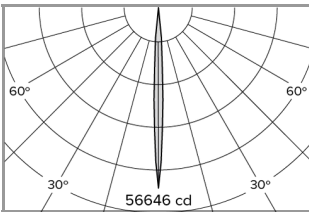
SPECIFICATION

DRX1 2700K LED (10W for light source) compact spotlight for 3-Circuit Eutrac with 4° optic. Manufactured from A380 aluminium and glass-filled polycarbonate. Finished in white (RAL 9010). Voltage is 100-240V 50/60HZ. Luminaire has high-performance colour rendering of 90+ CRI. Luminaire can be rotated, with +/- 165° movement through the pan axis and +/- 110° through the tilt axis, at a resolution of less than 1° in either axis. Movement and dimming is controlled using a handheld remote. Recording and recalling of scenes as standard.

PART NO. **DRX1.0061**

PRODUCT SUMMARY DRX1 Spotlight; 100-240V 50/60Hz; 3" Eutrac; 4° Optic; 2700K 90+CRI LED 10W; White; Movement & Dimming using Handheld Remote

DRX1; 3-CIRCUIT TRACK 2700K LED 4° Optic 10W



Photometry

10W 4°		2700K LED	
1m	0.07m		56646 lx
2m	0.14m		13661 lx
3m	0.21m		6071 lx
4m	0.28m		3415 lx
5m	0.35m		2186 lx

Cone Diagram

MOVEMENT

MOVEMENT TYPE:	Handheld Remote
PAN MOVEMENT RANGE:	±165°
TILT MOVEMENT RANGE:	±110°
PAN MOVEMENT RESOLUTION:	<1°
TILT MOVEMENT RESOLUTION:	<1°
PAN SPEED OF MOVEMENT:	24°/s
TILT SPEED OF MOVEMENT:	22°/s

LIGHTING

LIGHT SOURCE:	LED
MODULE LUMEN OUTPUT:	594lm
ABSOLUTE LUMEN OUTPUT:	540lm
GLARE MECHANICAL CUT-OFF:	53
GLARE COMFORT CUT-OFF:	70
COLOUR TEMP:	2700K

ELECTRICAL

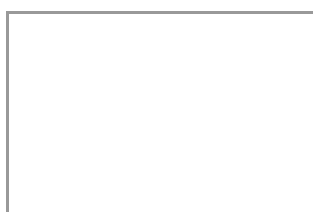
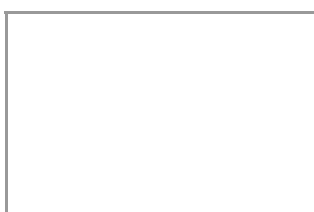
VOLTAGE REGION:	100 - 240V 50/60Hz
IEC PROTECTION CLASS:	Class 2
LIGHT SOURCE WATTAGE:	10W
MOVEMENT WATTAGE:	4W
LUMINAIRE CIRCUIT WATTAGE:	19W
CONTROL GEAR:	Internal LED driver

 PART NO. **DRX1.0061**

PRODUCT SUMMARY DRX1 Spotlight; 100-240V 50/60Hz; 3~ Eutrac; 4° Optic; 2700K 90+CRI LED 10W; White; Movement & Dimming using Handheld Remote

DRX1; 3-CIRCUIT TRACK

3000K LED 22° Optic 14W



MOVEMENT

MOVEMENT TYPE:	Handheld Remote
PAN MOVEMENT RANGE:	±165°
TILT MOVEMENT RANGE:	±110°
PAN MOVEMENT RESOLUTION:	<1°
TILT MOVEMENT RESOLUTION:	<1°
PAN SPEED OF MOVEMENT:	24°/s
TILT SPEED OF MOVEMENT:	22°/s

LIGHTING

LIGHT SOURCE:	LED
MODULE LUMEN OUTPUT:	880lm
ABSOLUTE LUMEN OUTPUT:	704lm
GLARE MECHANICAL CUT-OFF:	53°
GLARE COMFORT CUT-OFF:	70°
COLOUR TEMP:	3000K

ELECTRICAL

VOLTAGE REGION:	100 - 240V 50/60Hz
IEC PROTECTION CLASS:	Class 2
LIGHT SOURCE WATTAGE:	14W
MOVEMENT WATTAGE:	4W
LUMINAIRE CIRCUIT WATTAGE:	23W
CONTROL GEAR:	Internal LED driver

PART NO.

DRX1.0521

PRODUCT SUMMARY DRX1 Spotlight; 100-240V 50/60Hz; 3~ Eutrac; 22° Optic; 3000K 90+CRI LED 14W; White; Movement & Dimming using Handheld Remote