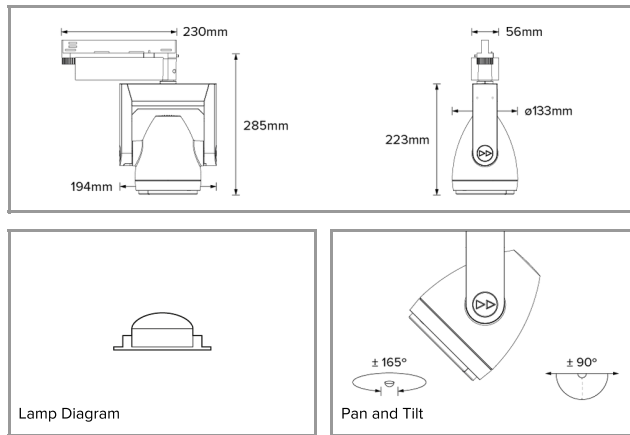


## DR8; 3-Circuit Track 2700K LED 8° Optic 30W


**PHYSICAL**

CONSTRUCTION MATERIALS:	LM24 Aluminium Glass-filled Polycarbonate
MOUNTING:	3-Circuit Track
WEIGHT:	1.97kg
FINISH:	White RAL9010
MAX AMBIENT TEMPERATURE:	40°C

**CONTROL**

MOVEMENT TYPE:	Handheld Remote
DIMMING OPTION:	Handheld Remote

**SPECIFICATION**

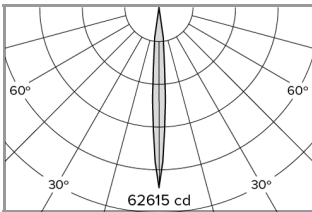
DR8 2700K LED (30W for light source) spotlight for 3-Circuit Track with 8° Optic. Manufactured from LM24 aluminium and glass-filled polycarbonate. Finished in White (RAL9010). Voltage is 220-240V 50/60Hz. Luminaire has a good performance colour rendering of 90+ CRI. Luminaire can be rotated, with +/-165° movement through the pan axis and +/- 90° through the tilt axis, at a resolution of less than 1° in either axis. Movement and dimming is controlled using a handheld remote. Recording and recalling of scenes as standard.

PART NO.

**DR8.1357**

PRODUCT SUMMARY DR8 Spotlight; 220-240V 50/60Hz; 3~ Eutrac; 8° Optic; 2700K 90+CRI LED 30W; White; Movement & Dimming using Handheld Remote

# DR8; 3-CIRCUIT TRACK 2700K LED 8° Optic 30W



Photometry

30W 8°		2700K LED
1m	0.1m	57571 lx
2m	0.3m	14393 lx
3m	0.4m	6397 lx
4m	0.6m	3598 lx
5m	0.7m	2303 lx

Cone Diagram

**MOVEMENT**

MOVEMENT TYPE:	Handheld Remote
PAN MOVEMENT RANGE:	±165°
TILT MOVEMENT RANGE:	±90°
PAN MOVEMENT RESOLUTION:	<1°
TILT MOVEMENT RESOLUTION:	<1°
PAN SPEED OF MOVEMENT:	23°/s
TILT SPEED OF MOVEMENT:	16°/s

**LIGHTING**

LIGHT SOURCE:	LED
MODULE LUMEN OUTPUT:	2478lm
ABSOLUTE LUMEN OUTPUT:	2090lm
GLARE MECHANICAL CUT-OFF:	19°
GLARE COMFORT CUT-OFF:	52°
COLOUR TEMP:	2700K

**ELECTRICAL**

VOLTAGE REGION:	220-240V 50/60Hz
IEC PROTECTION CLASS:	Class 1
LIGHT SOURCE WATTAGE:	30W
MOVEMENT WATTAGE:	4W
LUMINAIRE CIRCUIT WATTAGE:	34W
CONTROL GEAR:	Internal LED Driver

PART NO.

**DR8.1357**

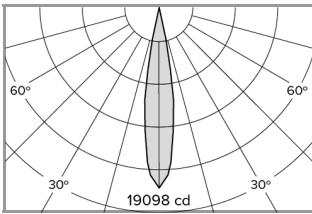
**PRODUCT SUMMARY** DR8 Spotlight; 220-240V 50/60Hz; 3~ Eutrac; 8° Optic; 2700K 90+CRI LED 30W; White; Movement & Dimming using Handheld Remote







# DR8; 3-CIRCUIT TRACK 4000K LED 17° Optic 30W



Photometry

30W 17°		4000K LED
1m	0.3m	18613 lx
2m	0.6m	4653 lx
3m	0.9m	2068 lx
4m	1.2m	1163 lx
5m	1.5m	745 lx

Cone Diagram

**MOVEMENT**

MOVEMENT TYPE:	Handheld Remote
PAN MOVEMENT RANGE:	±165°
TILT MOVEMENT RANGE:	±90°
PAN MOVEMENT RESOLUTION:	<1°
TILT MOVEMENT RESOLUTION:	<1°
PAN SPEED OF MOVEMENT:	23°/s
TILT SPEED OF MOVEMENT:	16°/s

**LIGHTING**

LIGHT SOURCE:	LED
MODULE LUMEN OUTPUT:	2478lm
ABSOLUTE LUMEN OUTPUT:	2048lm
GLARE MECHANICAL CUT-OFF:	19°
GLARE COMFORT CUT-OFF:	52°
COLOUR TEMP:	4000K

**ELECTRICAL**

VOLTAGE REGION:	220-240V 50/60Hz
IEC PROTECTION CLASS:	Class 1
LIGHT SOURCE WATTAGE:	30W
MOVEMENT WATTAGE:	4W
LUMINAIRE CIRCUIT WATTAGE:	34W
CONTROL GEAR:	Internal LED Driver

PART NO.

**DR8.1412**

PRODUCT SUMMARY DR8 Spotlight; 220-240V 50/60Hz; 3~ Eutrac; 17° Optic; 4000K 80+CRI LED 30W; Black; Movement & Dimming using Handheld Remote