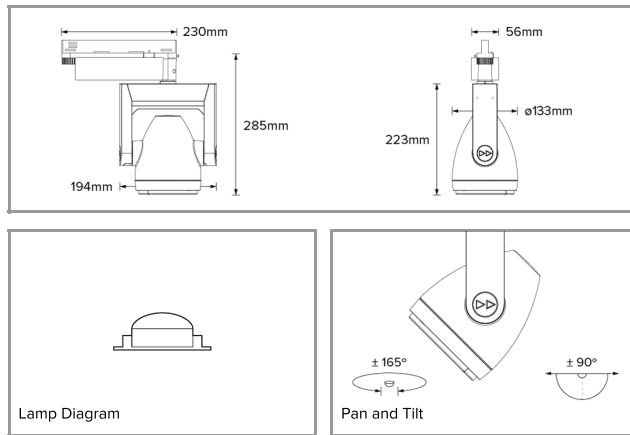


DR8; 3-Circuit Track 2700K LED 6° Optic 20W



PHYSICAL

CONSTRUCTION MATERIALS:	LM24 Aluminium Glass-filled Polycarbonate
MOUNTING:	3-Circuit Track
WEIGHT:	1.97kg
FINISH:	White RAL9010
MAX AMBIENT TEMPERATURE:	40°C

CONTROL

MOVEMENT TYPE:	Handheld Remote
DIMMING OPTION:	Handheld Control

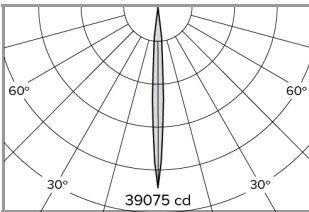
SPECIFICATION

DR8 2700K LED (20W for light source) spotlight for 3-Circuit Eutrac with 6° optic. Manufactured from LM24 aluminium and glass-filled polycarbonate. Finished in white (RAL 9010). Voltage is 220-240V 50/60HZ. Luminaire has high-performance colour rendering of 90+ CRI. Luminaire can be rotated, with +/- 165° movement through the pan axis and +/- 90° through the tilt axis, at a resolution of less than 1° in either axis. Movement and dimming is controlled using a handheld remote. Recording and recalling of scenes as standard.

PART NO. **DR8.0327**

PRODUCT SUMMARY DR8 Spotlight; 220-240V 50/60Hz; 3~ Eutrac; 6° Optic; 2700K 90+CRI LED 20W; White; Movement & Dimming using Handheld Remote

DR8; 3-CIRCUIT TRACK 2700K LED 6° Optic 20W



Photometry

20W 6°		2700K LED	
1m	0.1m		39075 lx
2m	0.2m		9769 lx
3m	0.3m		4342 lx
4m	0.4m		2442 lx
5m	0.5m		1563 lx

Cone Diagram

MOVEMENT

MOVEMENT TYPE:	Handheld Remote
PAN MOVEMENT RANGE:	±165°
TILT MOVEMENT RANGE:	±90°
PAN MOVEMENT RESOLUTION:	<1°
TILT MOVEMENT RESOLUTION:	<1°
PAN SPEED OF MOVEMENT:	23°/s
TILT SPEED OF MOVEMENT:	16°/s

LIGHTING

LIGHT SOURCE:	LED
MODULE LUMEN OUTPUT:	1300lm
ABSOLUTE LUMEN OUTPUT:	1100lm
GLARE MECHANICAL CUT-OFF:	22°
GLARE COMFORT CUT-OFF:	50°
COLOUR TEMP:	2700K

ELECTRICAL

VOLTAGE REGION:	220 - 240V 50/60Hz
IEC PROTECTION CLASS:	Class 1
LIGHT SOURCE WATTAGE:	20W
MOVEMENT WATTAGE:	4W
LUMINAIRE CIRCUIT WATTAGE:	24W
CONTROL GEAR:	Internal LED Driver

PART NO.

DR8.0327

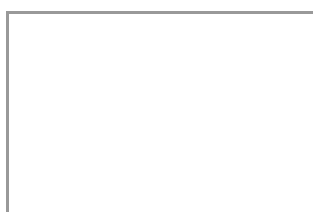
PRODUCT SUMMARY DR8 Spotlight; 220-240V 50/60Hz; 3~ Eutrac; 6° Optic; 2700K 90+CRI LED 20W; White; Movement & Dimming using Handheld Remote

DR8; 3-CIRCUIT TRACK

4000K LED 24° Optic 20W



Photometry



Cone Diagram

MOVEMENT

MOVEMENT TYPE:	Handheld Remote
PAN MOVEMENT RANGE:	±165°
TILT MOVEMENT RANGE:	±90°
PAN MOVEMENT RESOLUTION:	<1°
TILT MOVEMENT RESOLUTION:	<1°
PAN SPEED OF MOVEMENT:	23°/s
TILT SPEED OF MOVEMENT:	16°/s

LIGHTING

LIGHT SOURCE:	LED
MODULE LUMEN OUTPUT:	1690lm
ABSOLUTE LUMEN OUTPUT:	1430lm
GLARE MECHANICAL CUT-OFF:	22°
GLARE COMFORT CUT-OFF:	50°
COLOUR TEMP:	4000K

ELECTRICAL

VOLTAGE REGION:	220 - 240V 50/60Hz
IEC PROTECTION CLASS:	Class 1
LIGHT SOURCE WATTAGE:	20W
MOVEMENT WATTAGE:	4W
LUMINAIRE CIRCUIT WATTAGE:	24W
CONTROL GEAR:	Internal LED Driver

PART NO.

DR8.0487

PRODUCT SUMMARY DR8 Spotlight; 220-240V 50/60Hz; 3~ Eutrac; 24° Optic; 4000K 80+CRI LED 20W; White; Movement & Dimming using Handheld Remote