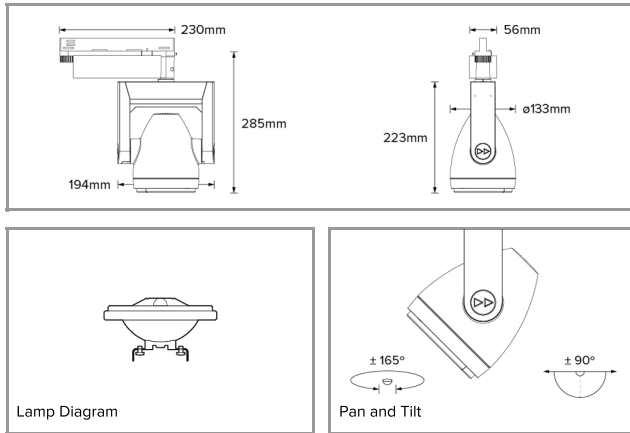


DR8; 3-Circuit Track QR111 100W Max



PHYSICAL

CONSTRUCTION MATERIALS:	LM24 Aluminium Glass-filled Polycarbonate
MOUNTING:	3-Circuit Track
WEIGHT:	1.85kg
FINISH:	White RAL9010
MAX AMBIENT TEMPERATURE:	40°C

SPECIFICATION

DR8 QR111 (100W Max) spotlight for 3-Circuit Eutrac. Manufactured from LM24 aluminium and glass-filled polycarbonate. Finished in white (RAL 9010). Voltage is 220-240V 50/60HZ. Luminaire can be rotated, with +/- 165° movement through the pan axis and +/- 90° through the tilt axis, at a resolution of less than 1° in either axis. Movement and dimming is controlled using using a handheld remote. Recording and recalling of scenes as standard.

CONTROL

MOVEMENT TYPE:	Handheld Remote
DIMMING OPTION:	Handheld Control

PART NO. **DR8.0001**

PRODUCT SUMMARY DR8 Spotlight; 220-240V 50/60Hz; 3~ Eutrac; QR111 100W Max; White; Movement & Dimming using Handheld Remote

DR8; 3-CIRCUIT TRACK QR111 100W Max

MOVEMENT

MOVEMENT TYPE:	Handheld Remote
PAN MOVEMENT RANGE:	±165°
TILT MOVEMENT RANGE:	±90°
PAN MOVEMENT RESOLUTION:	<1°
TILT MOVEMENT RESOLUTION:	<1°
PAN SPEED OF MOVEMENT:	23°/s
TILT SPEED OF MOVEMENT:	16°/s

LIGHTING

LIGHT SOURCE:	Halogen
MIN. DISTANCE FROM TARGET:	1.5m
GLARE MECHANICAL CUT-OFF:	17°
GLARE COMFORT CUT-OFF:	43°

ELECTRICAL

VOLTAGE REGION:	220 - 240V 50/60Hz
IEC PROTECTION CLASS:	Class 1
LIGHT SOURCE WATTAGE:	100W Max
MOVEMENT WATTAGE:	4W
LUMINAIRE CIRCUIT WATTAGE:	Upto 104W
CONTROL GEAR:	Internal Halogen Transformer

 PART NO. **DR8.0001**

PRODUCT SUMMARY DR8 Spotlight; 220-240V 50/60Hz; 3~ Eutrac; QR111 100W Max; White; Movement & Dimming using Handheld Remote