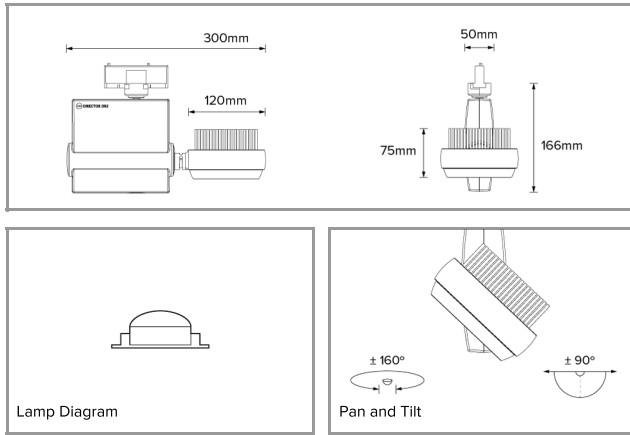


# DR2; 3-Circuit Track 2700K LED 6° Optic 20W



**PHYSICAL**

**CONSTRUCTION MATERIALS:** LM24 Aluminium  
Glass-filled Polycarbonate

**MOUNTING:** 3-Circuit Track

**WEIGHT:** 1.61kg

**FINISH:** White RAL9010

**MAX AMBIENT TEMPERATURE:** 40°C

**CONTROL**

**MOVEMENT TYPE:** Handheld Remote

**DIMMING OPTION:** Handheld Control

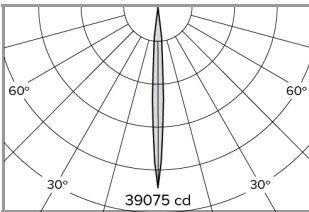
**SPECIFICATION**

DR2 2700K LED (20W for light source) spotlight for 3-Circuit Eutrac with 6° optic. Manufactured from LM24 aluminium and glass-filled polycarbonate. Finished in white (RAL 9010). Voltage is 220-240V 50/60HZ. Luminaire has high-performance colour rendering of 90+ CRI. Luminaire can be rotated, with +/- 160° movement through the pan axis and +/- 90° through the tilt axis, at a resolution of less than 1° in either axis. Movement and dimming is controlled using a handheld remote. Recording and recalling of scenes as standard.

PART NO. **DR2.0149**

**PRODUCT SUMMARY** DR2 Spotlight; 220-240V 50/60Hz; 3~ Eutrac; 6° Optic; 2700K 90+CRI LED 20W; White; Movement & Dimming using Handheld Remote

# DR2; 3-CIRCUIT TRACK 2700K LED 6° Optic 20W



Photometry

20W 6°		2700K LED
1m	0.1m	39075 lx
2m	0.2m	9769 lx
3m	0.3m	4342 lx
4m	0.4m	2442 lx
5m	0.5m	1563 lx

Cone Diagram

**MOVEMENT**

MOVEMENT TYPE:	Handheld Remote
PAN MOVEMENT RANGE:	±160°
TILT MOVEMENT RANGE:	±90°
PAN MOVEMENT RESOLUTION:	<1°
TILT MOVEMENT RESOLUTION:	<1°
PAN SPEED OF MOVEMENT:	30°/s
TILT SPEED OF MOVEMENT:	22°/s

**LIGHTING**

LIGHT SOURCE:	LED
MODULE LUMEN OUTPUT:	1300lm
ABSOLUTE LUMEN OUTPUT:	1100lm
GLARE MECHANICAL CUT-OFF:	9°
GLARE COMFORT CUT-OFF:	50°
COLOUR TEMP:	2700K

**ELECTRICAL**

VOLTAGE REGION:	220 - 240V 50/60Hz
IEC PROTECTION CLASS:	Class 1
LIGHT SOURCE WATTAGE:	20W
MOVEMENT WATTAGE:	4W
LUMINAIRE CIRCUIT WATTAGE:	24W
CONTROL GEAR:	Internal LED Driver

PART NO.

**DR2.0149**

**PRODUCT SUMMARY** DR2 Spotlight; 220-240V 50/60Hz; 3~ Eutrac; 6° Optic; 2700K 90+CRI LED 20W; White; Movement & Dimming using Handheld Remote

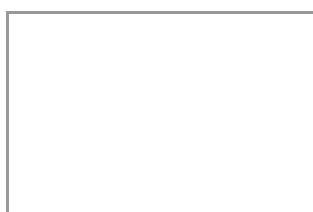






# DR2; 3-CIRCUIT TRACK

4000K LED 24° Optic 20W



## MOVEMENT

MOVEMENT TYPE:	Handheld Remote
PAN MOVEMENT RANGE:	±160°
TILT MOVEMENT RANGE:	±90°
PAN MOVEMENT RESOLUTION:	<1°
TILT MOVEMENT RESOLUTION:	<1°
PAN SPEED OF MOVEMENT:	30°/s
TILT SPEED OF MOVEMENT:	22°/s

## LIGHTING

LIGHT SOURCE:	LED
MODULE LUMEN OUTPUT:	1690lm
ABSOLUTE LUMEN OUTPUT:	1430lm
GLARE MECHANICAL CUT-OFF:	9°
GLARE COMFORT CUT-OFF:	50°
COLOUR TEMP:	4000K

## ELECTRICAL

VOLTAGE REGION:	220 - 240V 50/60Hz
IEC PROTECTION CLASS:	Class 1
LIGHT SOURCE WATTAGE:	20W
MOVEMENT WATTAGE:	4W
LUMINAIRE CIRCUIT WATTAGE:	24W
CONTROL GEAR:	Internal LED Driver

PART NO.

DR2.0295

PRODUCT SUMMARY DR2 Spotlight; 220-240V 50/60Hz; 3~ Eutrac; 24° Optic; 4000K 80+CRI LED 20W; White; Movement & Dimming using Handheld Remote