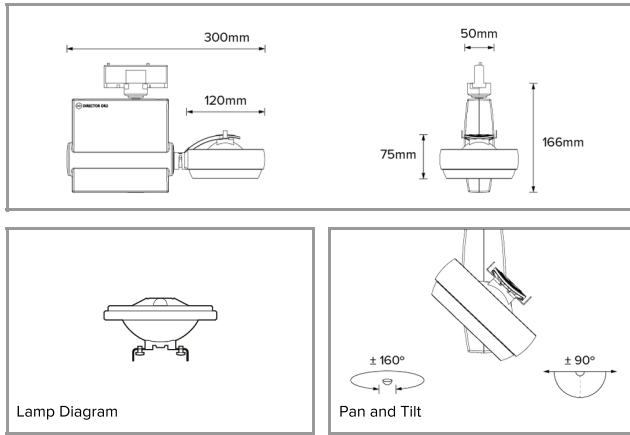


DR2; 3-Circuit Track QR111 100W Max



PHYSICAL

CONSTRUCTION MATERIALS: LM24 Aluminium
Glass-filled Polycarbonate

MOUNTING: 3-Circuit Track

WEIGHT: 1.35kg

FINISH: White RAL9010

MAX AMBIENT TEMPERATURE: 40°C

SPECIFICATION

DR2 QR111 (100W Max) spotlight for 3-Circuit Eutrac. Manufactured from LM24 aluminium and glass-filled polycarbonate. Finished in white (RAL 9010). Voltage is 220-240V 50/60HZ. Luminaire can be rotated, with +/- 160° movement through the pan axis and +/- 90° through the tilt axis, at a resolution of less than 1° in either axis. Movement and dimming is controlled using a handheld remote. Recording and recalling of scenes as standard.

CONTROL

MOVEMENT TYPE: Handheld Remote

DIMMING OPTION: Handheld Control

PART NO. **DR2.0001**

PRODUCT SUMMARY DR2 Spotlight; 220-240V 50/60Hz; 3~ Eutrac; QR111 100W Max; White; Movement & Dimming using Handheld Remote.

DR2; 3-CIRCUIT TRACK QR111 100W Max

MOVEMENT

MOVEMENT TYPE: Handheld Remote
 PAN MOVEMENT RANGE: $\pm 160^\circ$
 TILT MOVEMENT RANGE: $\pm 90^\circ$
 PAN MOVEMENT RESOLUTION: $< 1^\circ$
 TILT MOVEMENT RESOLUTION: $< 1^\circ$
 PAN SPEED OF MOVEMENT: $30^\circ/s$
 TILT SPEED OF MOVEMENT: $22^\circ/s$

LIGHTING

LIGHT SOURCE: Halogen
 MIN. DISTANCE FROM TARGET: 1.5m
 GLARE MECHANICAL CUT-OFF: 13°
 GLARE COMFORT CUT-OFF: 42°

ELECTRICAL

VOLTAGE REGION: 220 - 240V 50/60Hz
 IEC PROTECTION CLASS: Class 1
 LIGHT SOURCE WATTAGE: 100W Max
 MOVEMENT WATTAGE: 4W
 LUMINAIRE CIRCUIT WATTAGE: Upto 104W
 CONTROL GEAR: Internal Halogen Transformer

PART NO. **DR2.0001**

PRODUCT SUMMARY DR2 Spotlight; 220-240V 50/60Hz; 3~ Eutrac; QR111 100W Max; White; Movement & Dimming using Handheld Remote.