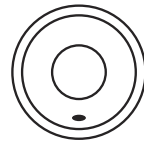


# DR7

## Intelligently sleek



- Fully recessed & discreet
- Incredibly versatile
- Highly compatible

The DR7 was RCL's first recessed spotlight – a multi-directional luminaire that sits flush with the ceiling for truly clean lines and great versatility. It's proven to be very popular with architects and lighting designers since its introduction to the market in 2014 so we've decided to offer it in a new High Power version for an even greater impact.

Trimless alternatives can be plastered in for a more discreet finish. All this combined with multiple protocol compatibility makes the DR7 suitable for almost any application.

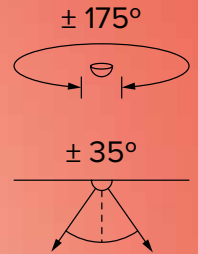
### **NEW DR7-HP – SEVEN OPTICS FOR A TIGHTER BEAM WITH HIGH LUX ON TARGET**

Available in 8° & 17° beams.

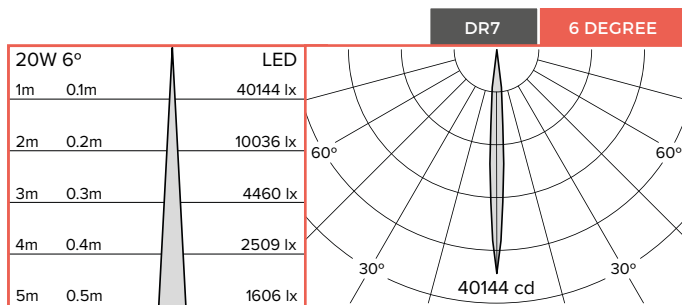
### **DR7 – THE ORIGINAL DR7 IS STILL AVAILABLE**

With beam options of 6°, 10° & 24°.

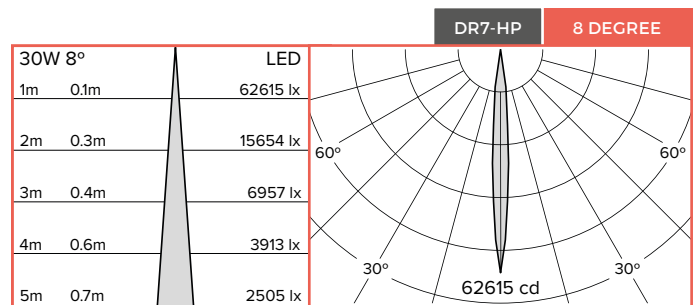
CUT-OUT OF  
**Ø195 MM**



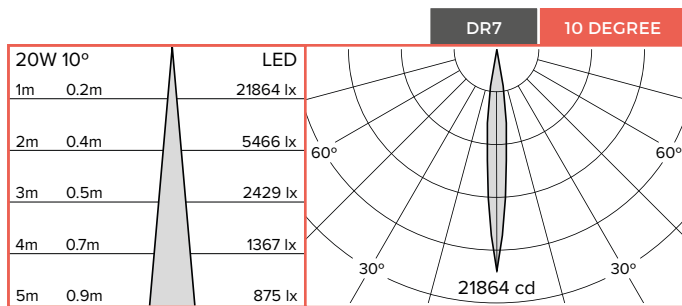
# Beam options



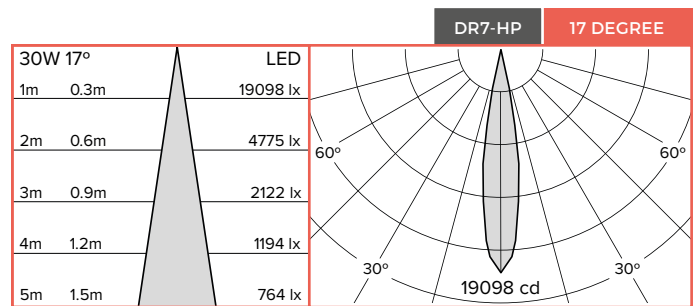
PEAK INTENSITY: 40144 CD  
 BEAM DIAMETER AT 10M: 2M  
 LX AT 10M: 401 LX



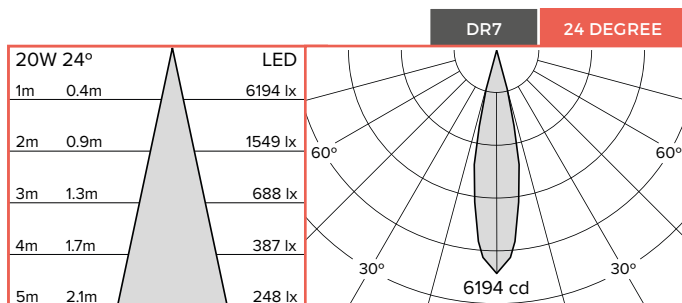
PEAK INTENSITY: 62615 CD  
 BEAM DIAMETER AT 10M: 1.4M  
 LX AT 10M: 626 LX



PEAK INTENSITY: 21864 CD  
 BEAM DIAMETER AT 10M: 1.8M  
 LX AT 10M: 219 LX



PEAK INTENSITY: 19098 CD  
 BEAM DIAMETER AT 10M: 3M



PEAK INTENSITY: 6194 CD  
 BEAM DIAMETER AT 10M: 6.1M