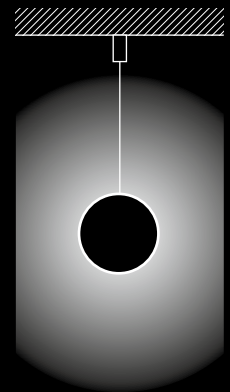


TUBO system

MOUNTING

CEILING

SUSPENDED

SHAPES

LINEAR

LIGHT DISTRIBUTION

OPAL

CONTROL

non DIM
3000K / 4000K

DIM DALI
3000K / 4000K



non DIM, DIM DALI
emergency light
3000K / 4000K

Description

DE Modulares Profilleuchtensystem mit zylindrischer opaler Abdeckung für homogene Ausleuchtung; wahlweise aufgebaute oder abgehängte Variante; ausgelegt für durchgehende Lichtsysteme; lieferbar in den Lichtfarben 3000 K und 4000 K; wahlweise nicht dimmbar oder DALI-dimmbar; optional Notlichtelement mit 1h oder 3h Akku und Selbsttest

EN Modular profile luminaire system with cylindrical opal cover for homogeneous illumination; choice of surface mounted and pendant versions; designed for continuous lighting systems; available in the light colours 3000 K and 4000 K; optionally non-dimmable or DALI dimmable; optionally emergency light with 1h or 3h battery and self test

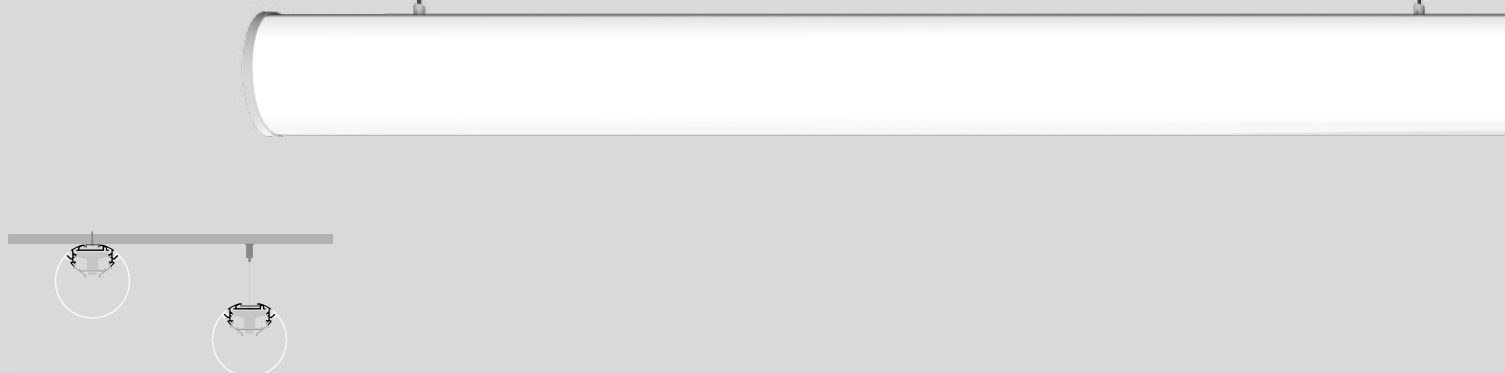
Overview

	TUBO 100 ceiling	TUBO 100 suspended
INSET		
non DIM e ²	•	•
DIM DALI e ²	•	•
COVER		
opal high performance	•	•

TUBO 100

ceiling / suspended system

xal.com/tubo



Quickinfo

GENERAL

suspended
IP 20

LED

Mid-power LED
up to 4135 lm/m
up to 129 lm/W
3000 K, 4000 K
CRI ≥ 80
Binning initial ≤ 3 MacAdam

ESTIMATED LED LIFETIME

L80/50 000 h

OPTICAL

omni illumination
uniform illumination
PMMA cover opal

ELECTRICAL

non DIM, DIM DALI
transparent feeder cable

PHYSICAL

aluminium
powder-coated
halogen-free cable (internal wiring)

TUBO

surface /
suspended
372 / 376



Description

DE Tragprofil aus Aluminiumstrangpressprofil; Enddeckel aus Aluminium, keine sichtbaren Schrauben; Oberfläche weiß pulverbeschichtet; Leuchtenprofil für Montage vorab lieferbar; restliche Leuchtenkomponenten werkzeuglos montierbar; Aufbau- bzw. Pendelleuchte mit 1500 mm Seilabhängung; werkzeuglose Höhenverstellung an der Leuchte; Befestigung an der Leuchte mittels Federclips; frei positionierbar; inkl. transparenter Einspeiseleitung; Lichteinsatz bestehend aus hochreflektierend lackiertem Strangpressprofil für verbessertes Thermomanagement; zylindrische Abdeckung aus satiniertem PMMA für homogene Ausleuchtung; mit 340° Lichtabstrahlung und leichter Deckenaufhellung; energieeffiziente LEDs mit sehr guter Farbwiedergabe; Binning initial ≤ 3 MacAdam; lieferbar in den Lichtfarben 3000 K und 4000 K; CRI ≥ 80; min. 80 % des Lichtstromes nach 50 000 h Lebensdauer; Schutzart IP 20; SK I; wahlweise nicht dimmbar oder DALI-dimmbar; optionaler Notlichtelement mit 1h oder 3h Akku und Selbsttest

EN Supporting profile in extruded aluminium; end cap in aluminium, no visible screws; surface white powder coated; luminaire profile for mounting available in advance; remaining luminaire components mounted without tools; surface mounted or suspended luminaire with 1500 mm cable suspension; with integrated tool-less suspension height adjustment; spring clip attachment to the luminaire; freely positionable; incl. transparent feed; lighting insert consisting of highly reflective coated extruded profile for improved thermal management; cylindrical cover made of satinised PMMA for homogeneous illumination; with 340° light emission and light ceiling illumination; energy-efficient LEDs with very good colour rendering; binning initial ≤ 3 MacAdam; available in the light colours 3000 K and 4000 K; CRI ≥ 80; min. 80 % of the luminous flux after 50 000 hours; protection class IP 20; PC I; optionally non-dimmable or DALI dimmable; optionally emergency light with 1h or 3h battery and self test

Features



detail end caps



quick lock



all side light distribution

Standard configuration

COLOUR TEMPERATURE ◆◆
3000K 5

CONTROL ◆
non DIM 1
DIM DALI 3

MATERIAL COLOUR
white



Extended configuration

COLOUR TEMPERATURE ◆◆
4000K 6

EMERGENCY LIGHT ●
1h Accupack N L 1
3h Accupack N L 3



TUBO 100 ceiling / suspended

order installation channel, cover, light inset + mounting accessories separately

INSTALLATION CHANNEL

TYPE	L (mm)	ORDER CODE
channel	582	0 2 9 - 0 0 6 6 7
channel	882	0 2 9 - 0 0 9 6 7
channel	1182	0 2 9 - 0 1 2 6 7
channel	1482	0 2 9 - 0 1 5 6 7
channel	2364	0 2 9 - 0 2 5 6 7
channel	3000	0 2 9 - 0 3 0 6 7
channel	custom	E 8 5 9 5 0 ···· 7

COVER OPAL

TYPE	L (mm)	ORDER CODE
cover	577	0 0 6 - 5 2 0 5 7 0 0
cover	877	0 0 6 - 5 2 0 8 7 0 0
cover	1177	0 0 6 - 5 2 1 1 7 0 0
cover	1477	0 0 6 - 5 2 1 4 7 0 0
cover	2359	0 0 6 - 5 2 2 3 4 0 0
cover	2995	0 0 6 - 5 2 3 0 0 0 0
cover	custom	E 8 5 9 1 0 ···· 0 0

LIGHT INSET



non DIM / DIM DALI e²

SYSTEM POWER	L (mm)	ORDER CODE
18 W	571	0 2 9 - 8 8 3 2 ◆◆ 7
28 W	871	0 2 9 - 8 8 3 3 ◆◆ 7
37 W	1171	0 2 9 - 8 8 3 4 ◆◆ 7
47 W	1463	0 2 9 - 8 8 3 5 ◆◆ 7 ●
75 W	2341	0 2 9 - 8 8 3 8 ◆◆ 7

Accessories

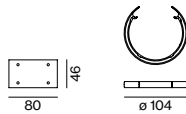
END CAPS

TYPE	ORDER CODE
end caps (pair)	0 2 9 - 1 4 0 6 7



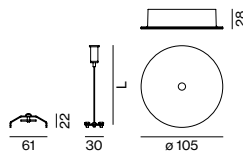
LINEAR CONNECTOR

TYPE	ORDER CODE
linear connector (1 piece)	0 2 9 - 1 2 0 2 7
linear connector (10 pieces)	0 2 9 - 1 2 0 2 7 . 1 0
opal cover linear connector	0 2 9 - 1 2 9 2 7
anti-slip protection (per cover)	0 2 9 - 0 0 3 4 7



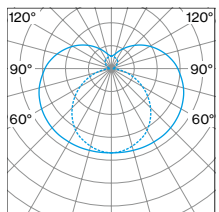
MOUNTING

TYPE	L (mm)	ORDER CODE
ceiling mounting set	40	0 2 9 - 0 0 4 4 6
cable suspension	1500	0 0 5 - 2 1 4 2 1 1 0
angular cable susp. (max. 60°)	1500	0 0 5 - 2 1 4 2 2 1 0
power feeder 3 × 1,5 mm ² (non DIM)	1500	0 0 5 - 2 2 2 2 3 1 7
power feeder 5 × 1,5 mm ² (DIM DALI)	1500	0 0 5 - 2 2 2 2 4 1 7
cable rail	1200	0 0 5 - 2 4 9 1 1 1 0



LIGHT DISTRIBUTION

opal 3000K



e² 3860lm/m 121lm/W

THROUGH WIRE

TYPE	ORDER CODE
3 × 1,5 mm ² (non DIM, 10 pieces)	0 0 4 - 9 0 0 0 3
5 × 1,5 mm ² (DIM DALI, 10 pieces)	0 0 4 - 9 0 0 0 5

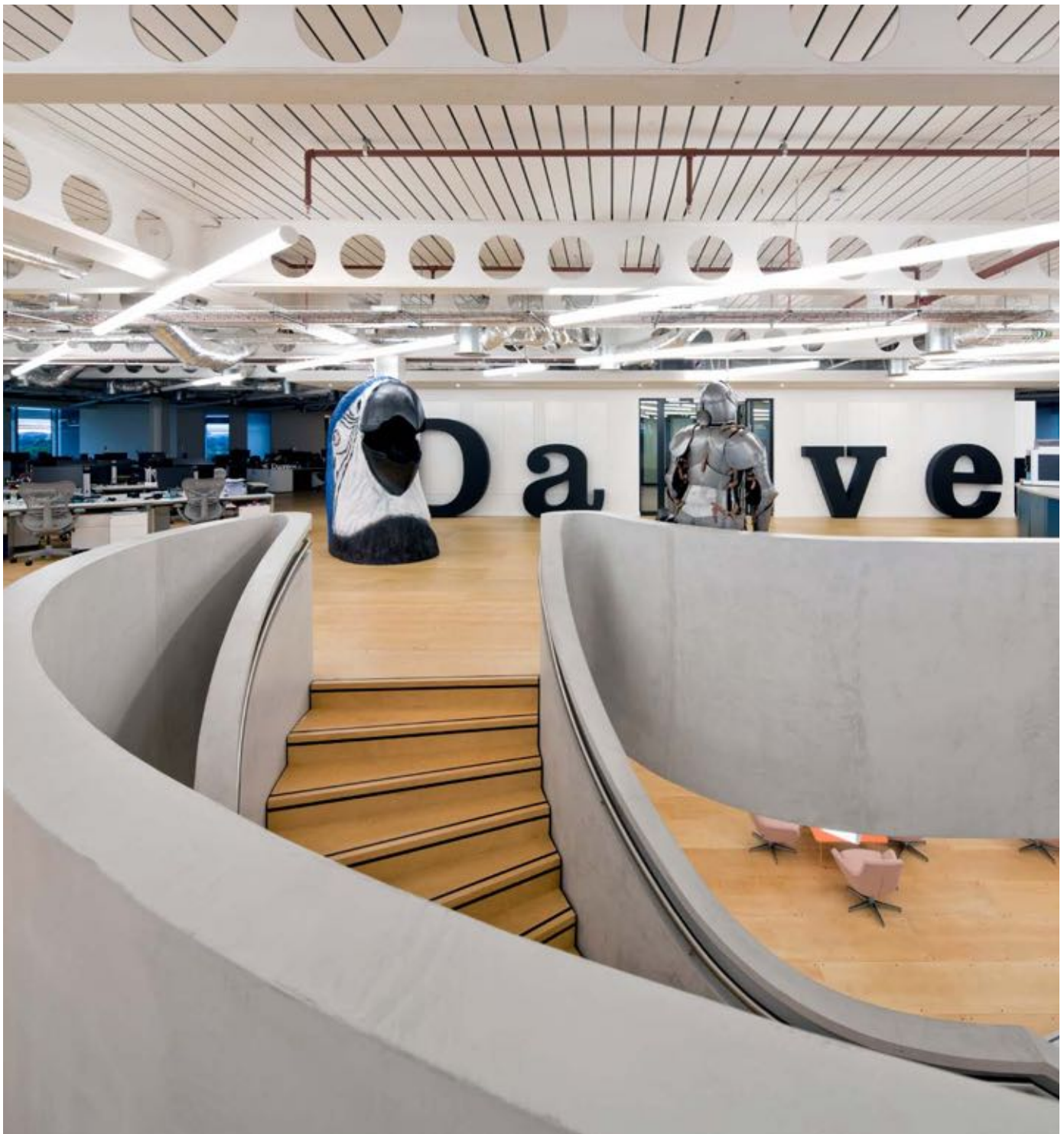
Inspiration

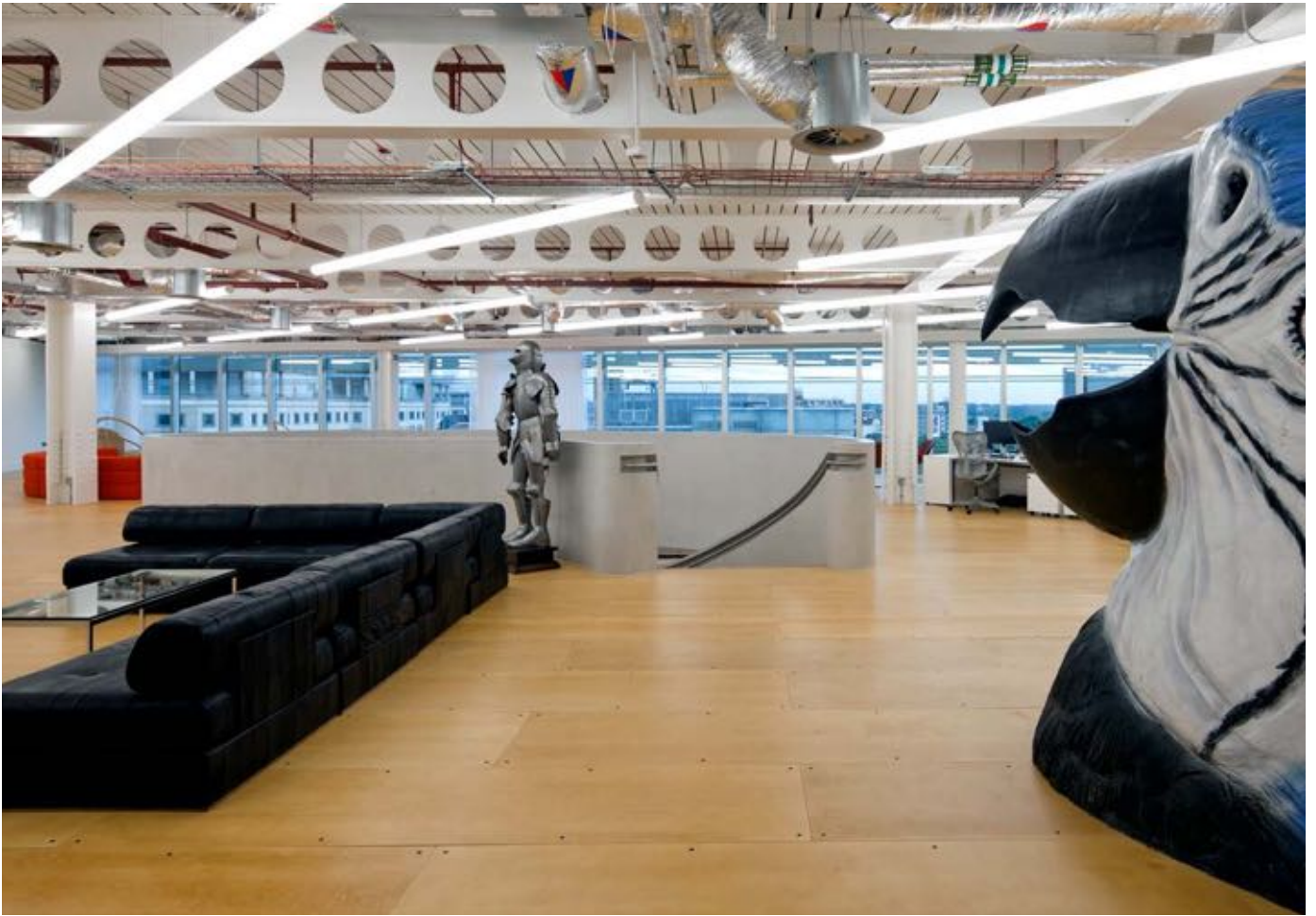
UK TV
London, United Kingdom

PRODUCT
TUBO 100 suspended system

ARCHITECT
PENSON
London, United Kingdom

LIGHTING DESIGN
AECOM
London, United Kingdom





Inspiration

Cafeteria
Segovia, Spain

PRODUCT
TUBO 100 suspended system

ARCHITECT
Serrano Suárez Arquitectos
Madrid, Spain



